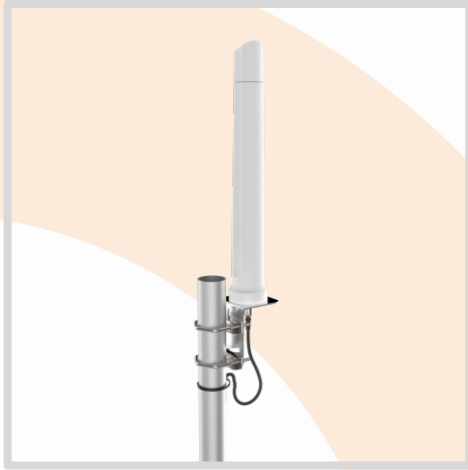


ANTENNAS | OMNI-296 SERIES

OMNI-DIRECTIONAL, DUAL-BAND WI-FI ANTENNA

2400 – 2500 MHz, 3400 – 3800 MHz & 5000 – 6000 MHz; 7.5 dBi



APPLICATION AREAS

Urban

Rural/Farm

- Dual-band 2.4 GHz and 5 GHz Wi-Fi antenna
- Omni-directional antenna with medium gain
- Compliant with IEEE 802.11b/g/n and 802.11ac wireless standard
- Covers the 3.5 GHz CBRS band for future 5G applications
- Vandal and water-resistant enclosure (IP 65)

Product Overview

The OMNI-296 antenna is a dual-band Wi-Fi omni-directional antenna, developed by Poynting Antennas. The antenna can connect to any Wi-Fi access point whether it is older Wi-Fi technology or new dual band Wi-Fi technology. The antenna can therefore be used to resolve channel saturation and provide the ultimate in Wi-Fi performance and flexibility. This means that the antenna can also be used for point to point links where there is abundance of RF noise and cluttered environments.

The antenna operates in the two Wi-Fi frequency bands (2.4 GHz and 5 GHz), offering excellent utilization of the radio spectrum. The antenna has a maximum gain of 6dBi in the 2.4GHz band and 7.5dBi in the 5GHz band, which offers the best performance with reliable connections. The antenna also covers the 3.5 GHz CBRS band, which will be used for future 5G technologies with a peak gain of 7dBi. The housing is made of ABS which is a high impact resistant plastic and is also resistant to acids and other chemicals that may occur in industrial plants. The antenna has an N-Type female connector at its base which can be connected to a cable of the desired type and length.

Features

- Dual-band Wi-Fi antenna for 2.4 GHz and 5 GHz
- Medium gain omni-directional antenna
- Covers 3.5 GHz CBRS band for future 5G applications
- Robust and weather resistant
- Lightweight design

Application Areas

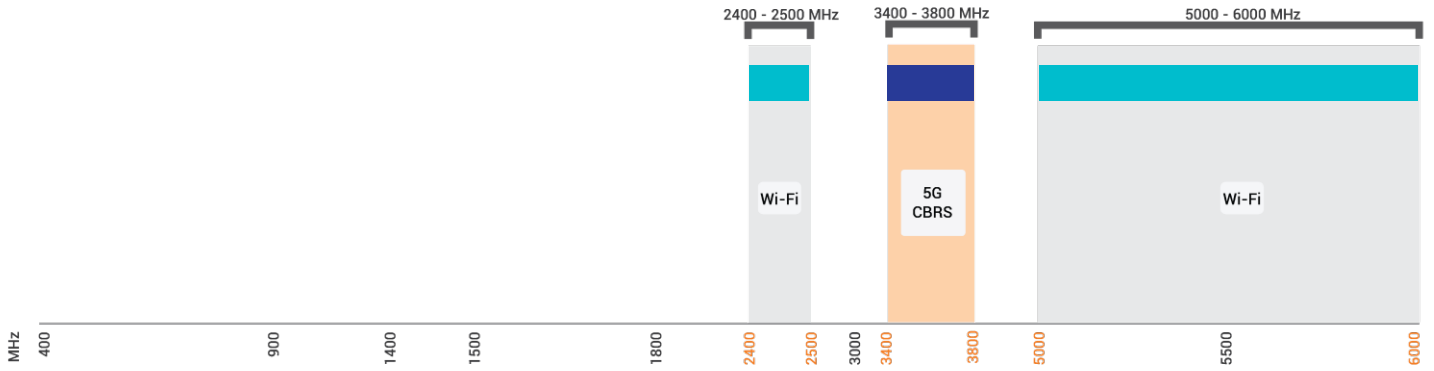
- Small business
- Building sites and open cast mines
- Production facilities and factories
- M2M and IoT applications
- Areas with large amounts of machinery (cluttered environments)



OMNI-296

Frequency Bands


The OMNI-296 is an omni-directional antenna that works from | 2400 – 2500 MHz | 3400 – 3800 MHz | and | 5000 – 6000 MHz |



 Indicates the 5G/LTE bands on which OMNI-296 works

 Indicates the WI-FI bands on which OMNI-296 works

Antenna Overview

	
Ports	1
SISO / MIMO	SISO
Frequency Bands	2400 – 2500 MHz 3400 – 3800 MHz 5000 – 6000 MHz
Polarisation	Linear Vertical
Peak Gain	7.5 dBi
Coax Cable Type	N/A
Coax Cable Length	N/A
Connector Type	N-Type (F)

**The connector is factory mounted to the antenna*

Electrical Specifications

Frequency Bands:	2400 – 2500 MHz
	3400 – 3800 MHz
	5000 – 6000 MHz
Gain (Max):	6 dBi @ 2400 – 2500 MHz
	7 dBi @ 3400 – 3800 MHz
	7.5 dBi @ 5000 – 6000 MHz
VSWR:	< 2.5:1
Feed Power Handling:	10 W
Input Impedance:	50 Ohm (nominal)
Polarisation:	Linear Vertical
DC Short:	Yes

Product Box Contents

Antenna:	A-OMNI-0296
Mounting Bracket:	Pole up to 50mm diameter wall and Pole mount stainless steel bracket

Ordering Information

Commercial name:	OMNI-296
Order product code:	A-OMNI-0296-V1-01
EAN number:	6009710924020

Mechanical Specifications

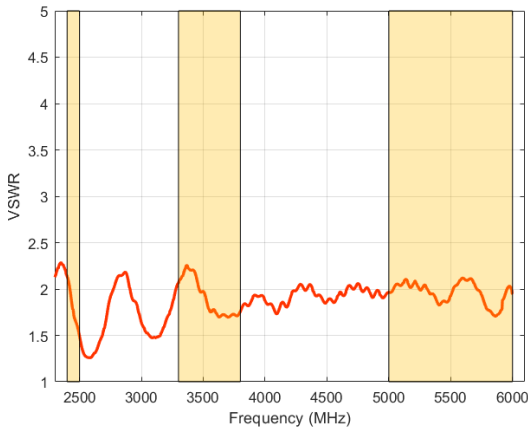
Product Dimensions	485 mm x Ø71 mm (excl. bracket)
Packaged Dimensions:	510 mm x 95 mm x 95 mm
Weight:	0.75 kg
Packaged Weight:	0.91 kg
Radome Material:	ABS (Halogen Free)
Radome Colour:	Pantone - Cool Gray (1c)
Mounting Type:	Pole and Wall

Environmental Specifications, Certification & Approvals

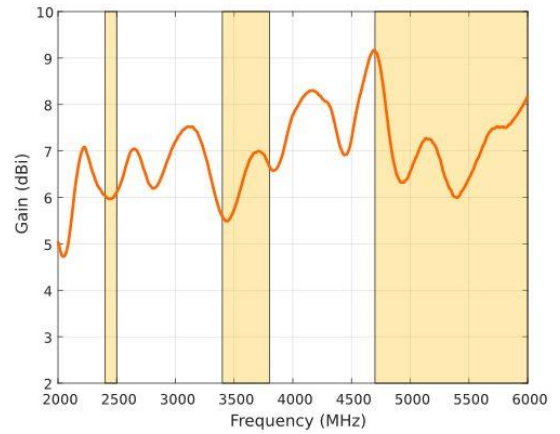
Antenna Wind Survival:	≤190 km/h
Temperature Range (Operating):	-40°C to +80°C
Environmental Conditions:	Outdoor/Indoor
Ingress Protection:	IP 65
Salt Spray:	MIL-STD 810G/ASTM B117
Operating Relative Humidity:	Up to 98%
Storage Humidity:	5% to 95% - non-condensing
Storage Temperature:	-40°C to +80°C
Enclosure Flammability Rating:	UL 94-HB
Impact Resistance:	IK 08
Product Safety & Environmental:	Complies with CE and RoHS standards

Antenna Performance Plots

VSWR



GAIN (EXCLUDING CABLE LOSS)



Voltage Standing Wave Ratio (VSWR)*

VSWR is a measure of how efficiently radio-frequency power is transmitted from a power source, through a transmission line, into a load. In an ideal system, 100% of the energy is transmitted which corresponds to a VSWR of 1:1.

The OMNI-296 delivers superior performance across all bands with a VSWR of <2.5:1.

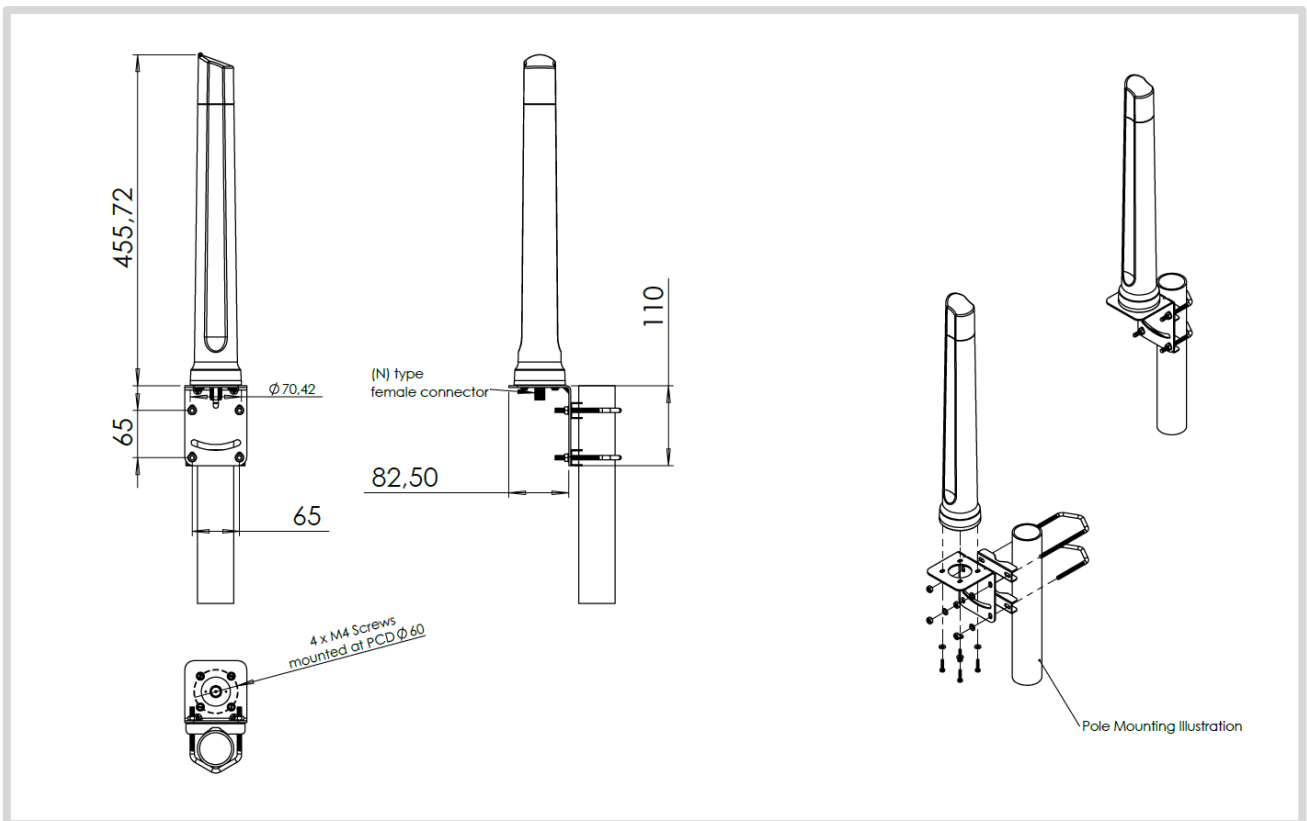
Gain* in dBi

7.5 dBi is the peak gain across all bands from 2400 – 6000 MHz

Gain @ 2400 – 2500 MHz:	6 dBi
Gain @ 3400 – 3800 MHz:	7 dBi
Gain @ 5000 – 6000 MHz:	7.5 dBi

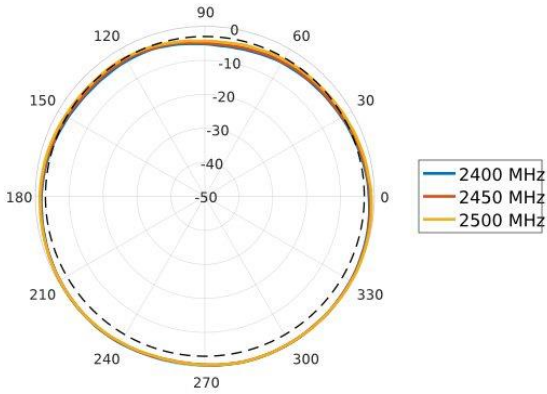
*Antenna gain measured with polarisation aligned standard antenna

Technical Drawings

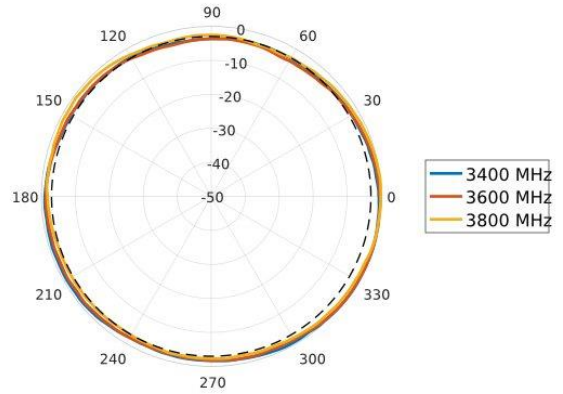


Radiation Patterns

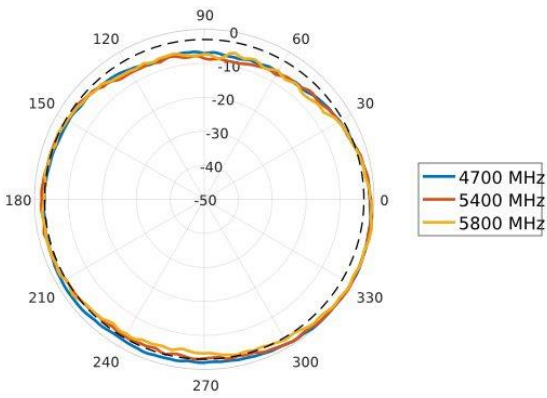
Azimuth: 2400 - 2500 MHz



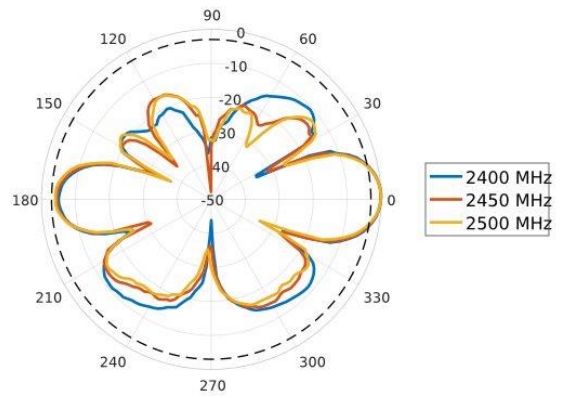
Azimuth: 3400 - 3800 MHz



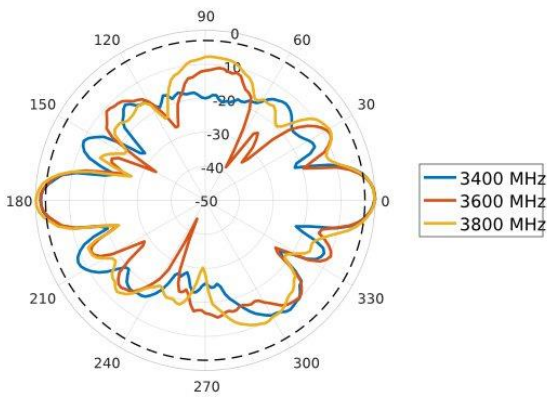
Azimuth: 5000 - 6000 MHz



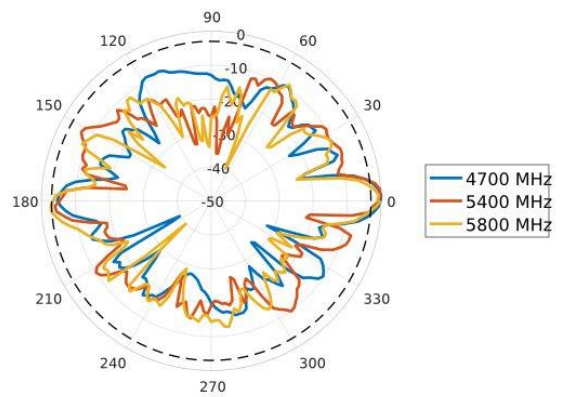
Elevation: 2400 - 2500 MHz



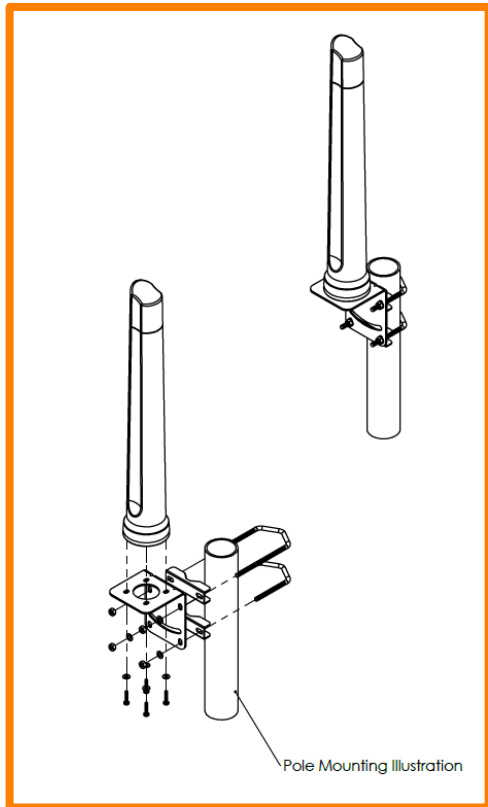
Elevation: 3400 - 3800 MHz



Elevation: 5000 - 6000 MHz

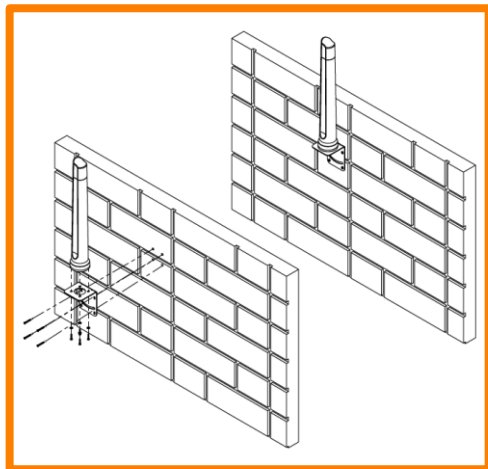


Mounting Options



Pole Mount

Pole/Wall Mounting bracket (included)



Wall Mount

Pole/Wall Mounting bracket (included)

Additional Accessories

Extension Cables: Up to 15m HDF 195
Various connectors available
Installation poles and brackets available

See accessories technical specifications on www.poynting.tech

CONTACT POYNTING

Poynting Antennas (Pty) Ltd - Head Office

Unit 4, N1 Industrial Park,
Landmarks Avenue,
Samrand, 0157, South Africa

Phone: +27 (0) 12 657 0050

E-mail: info@poynting.tech

International Email: sales-global@poynting.tech

Poynting Europe

Regus Business Center Neue Messe Riem
Kronstadter Straße 4
81677 München
Germany

Phone: +49 89 7453 9002

E-mail: sales-europe@poynting.tech

Poynting USA

1804 Owen Court, Suite 104,
Mansfield,
TX 76063
USA

Phone: +1 817 533-8130

E-mail: sales-us@poynting.tech